

3

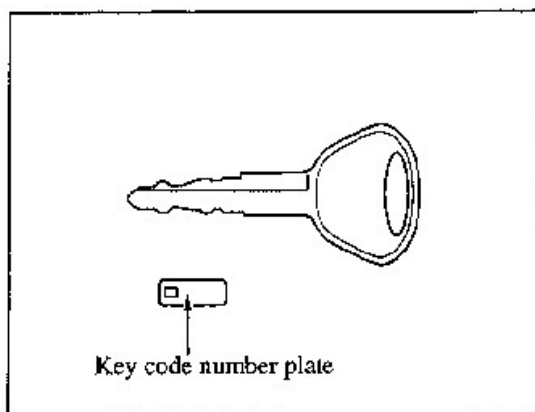
Knowing Your Mazda

Security takes many forms and is very important to owner and occupants. Section 3 describes the safe way to use your Mazda: keys, locks, windows, and interior lighting.

Keys	3- 2
Door Locks	3- 2
Power Windows	3- 5
Trunk Lid	3- 6
Hood Release	3- 8
Fuel-Filler Lid	3- 9
Fuel-Filler Cap	3- 9
Horn	3-10
Mirrors	3-11
Interior Light	3-14
Convertible Top	3-15
Detachable Hardtop	3-23

Knowing Your Mazda

Keys



The keys operate all locks.

A code number is stamped on the plate attached to the key set; detach this plate and store it in a safe place (not in the vehicle) for use if you need to make a replacement key.

Also write down the code number and keep it in another safe and handy place, but not in the vehicle.

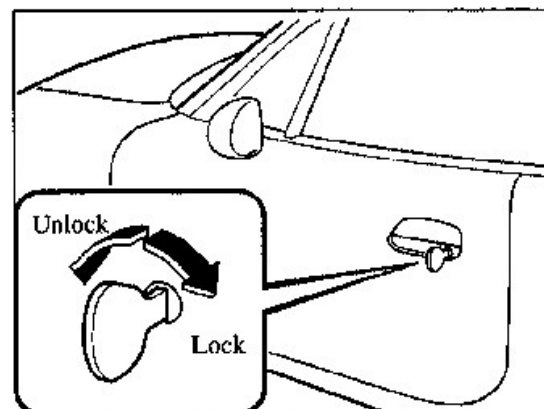
If your key is lost, consult your Authorized Mazda Dealer with the code number ready.

WARNING

Keys and Children:

Leaving small children in a vehicle with the ignition key is dangerous. This could result in someone being badly injured or even killed. They could play with power windows or other controls, or even make the vehicle move. Don't leave the keys in your vehicle with small children.

Door Locks

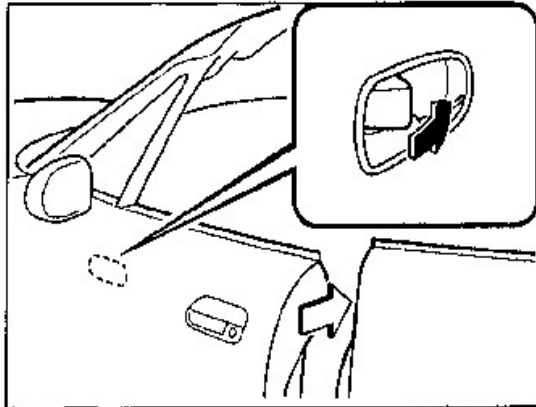


■ Outside Door Lock

▼ Locking, unlocking, with key

Either door can be locked or unlocked with a key.

Turn the key toward the front to unlock, toward the back to lock.



▼ Locking without key

To lock a door without a key, push the door lock and close the door.

NOTE

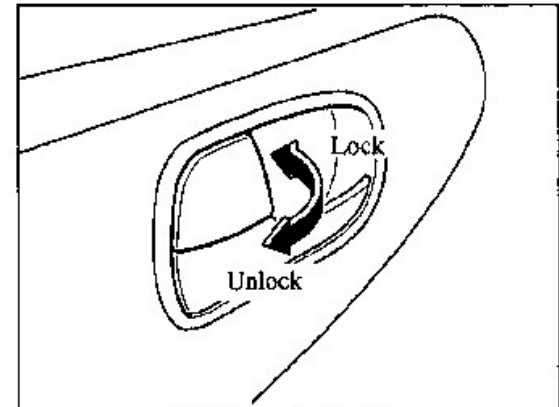
When locking the doors this way, be careful not to leave the key inside the vehicle.

⚠ WARNING

Unattended Children and Pets:
Leaving a child or an animal unattended in a parked vehicle is dangerous. In hot weather, temperatures inside a vehicle can become high enough to cause brain damage or even death. Always take all children and animals with you or leave a responsible person with them.

NOTE

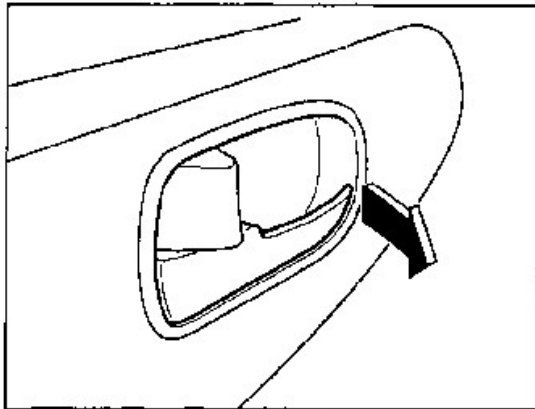
Always remove the key from the ignition switch, close all windows, and lock all doors when leaving your vehicle unattended. This discourages intruders and thieves.



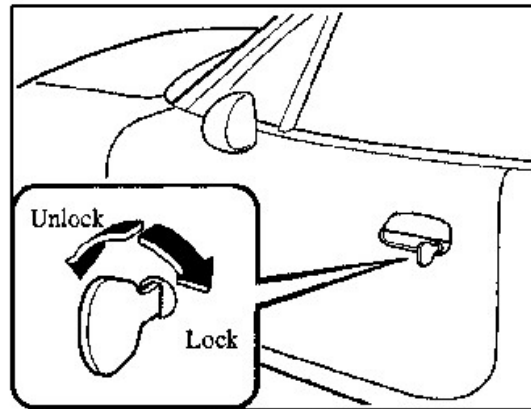
■ Inside Door Lock

To lock any door, push the door lock button into the door handle area.

To unlock, pull it out.



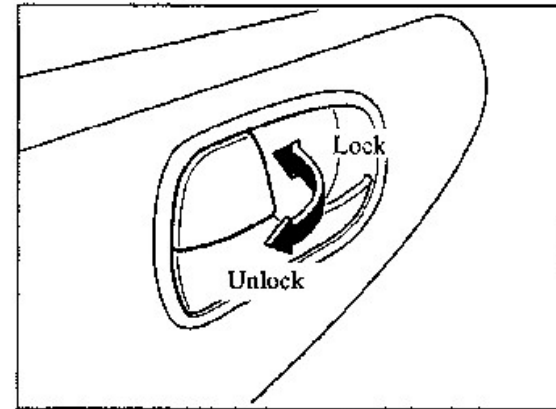
To open, pull the door handle.



■ Power Door Locks*

▼ Locking, unlocking, with key

Both doors lock automatically when the driver's door is locked with a key. They unlock when it is unlocked with a key.



▼ Locking, unlocking, with door-lock button

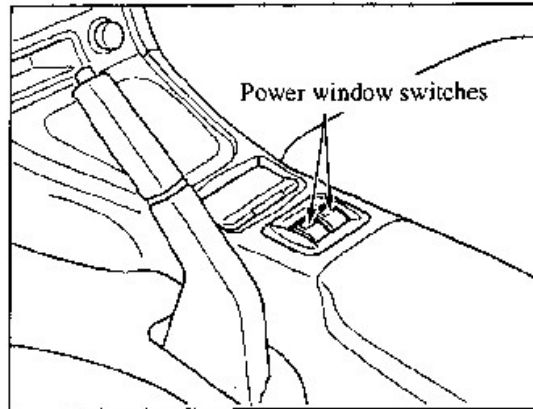
Both doors lock automatically when the driver's door-lock button is pushed. They all unlock when it is pulled.

⚠ WARNING

Unlocked Doors:

Unlocked doors in a moving vehicle can be dangerous. Passengers can fall out if a door is accidentally opened and can more easily be thrown out in an accident. So keep all doors locked when driving.

Power Windows*



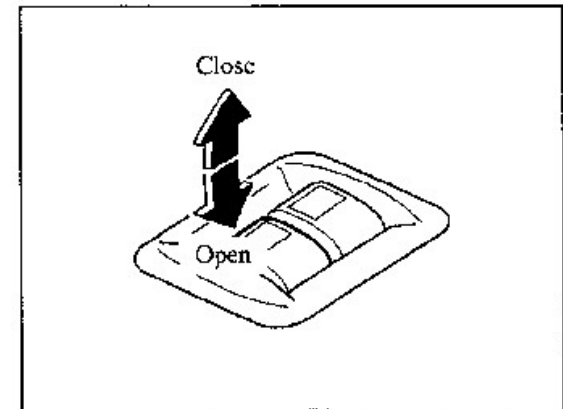
The ignition switch must be in the ON (II) position for the power windows to operate.

WARNING

Closing Power Windows:
Closing power windows can be dangerous. A person's hands, head, or even neck could be caught by the window and result in serious injury. This warning applies especially to children. Make sure the opening is clear before closing a window.

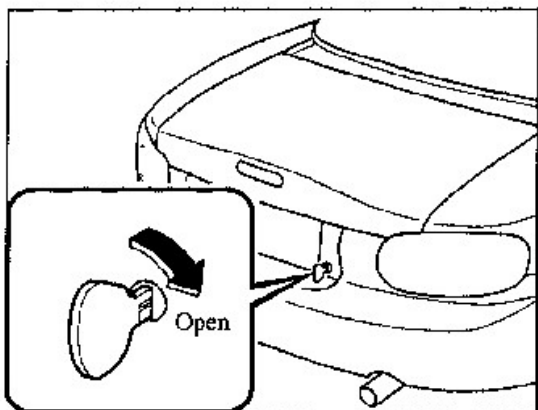
WARNING

Children Playing with Power Windows:
Playing with power windows is dangerous. Someone's hands, head, or neck could get caught in a closing window. They would be seriously injured or even killed. Don't let children play with power windows.



To open a window, push down on its switch. To close, pull it up.

Trunk Lid



■ Key-Operated Trunk

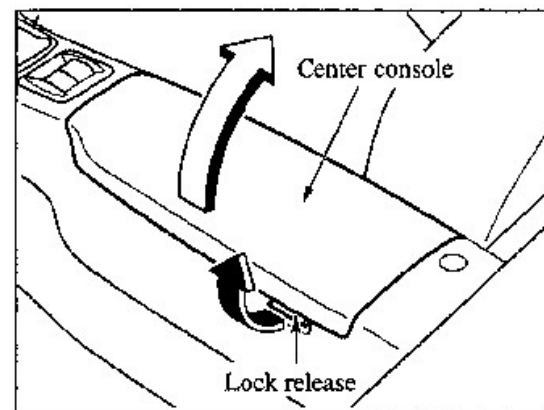
To open the trunk lid, insert the key into the slot and turn it clockwise.

To close, use both hands to push the lid down until the lock snaps shut. Don't slam it.

Then pull up on it to make sure it's secure.

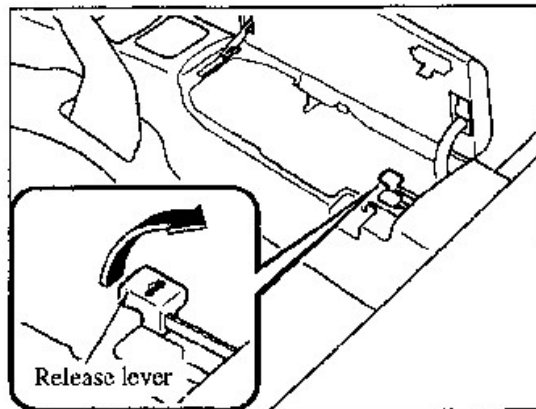
WARNING

Open Trunk and Exhaust Gas:
Exhaust gas in the cabin of a vehicle is dangerous. This gas contains CO (carbon monoxide), which is colorless, odorless, and highly poisonous. If inhaled, it can cause loss of consciousness and death. Because exhaust gas can get into the cabin through an open trunk, keep the trunk closed when driving.

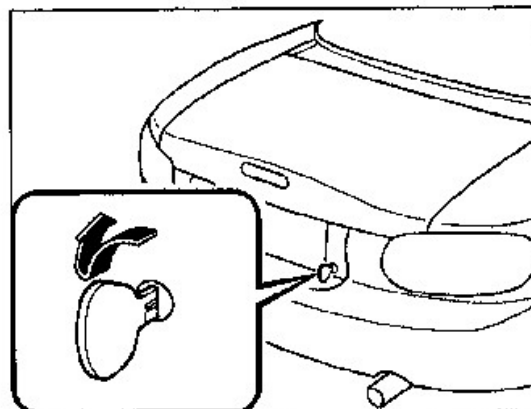


■ Remote Trunk Lid Release

The remote trunk lid release is mounted in the center console. To open the console, pull the lock release up.



To release the trunk lid, pull up on the trunk lid release lever.



■ **Remote Trunk Lid Release Lock-Out***

The remote release may be canceled to prevent anyone in the vehicle from opening the trunk.

Close the trunk, insert the key, and turn it counterclockwise. Then return the key to the center position and remove it.

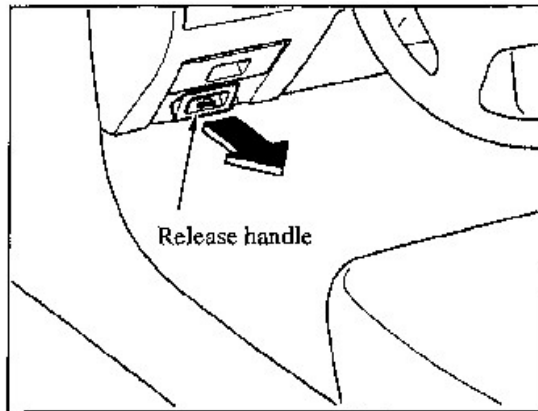
To activate the remote release, insert the key, turn it clockwise and open the trunk lid at the same time.

NOTE

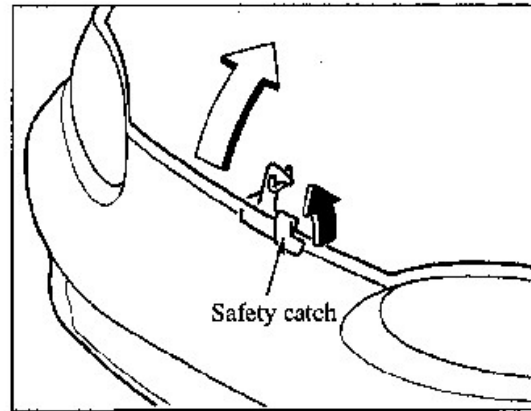
If the remote trunk lid release does not work, insert the key and turn it clockwise.

Knowing Your Mazda

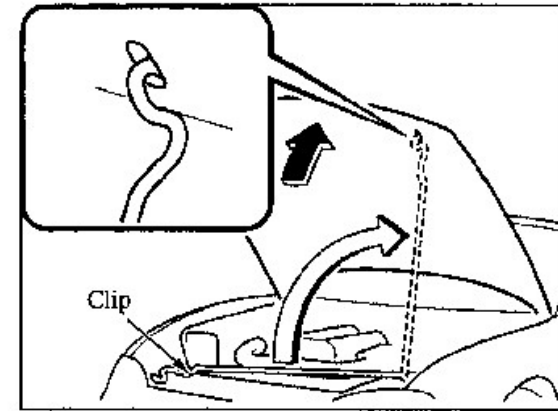
Hood Release



1. With the vehicle parked, pull the release handle to unlock the hood.



2. Pull the safety catch up and lift the hood.



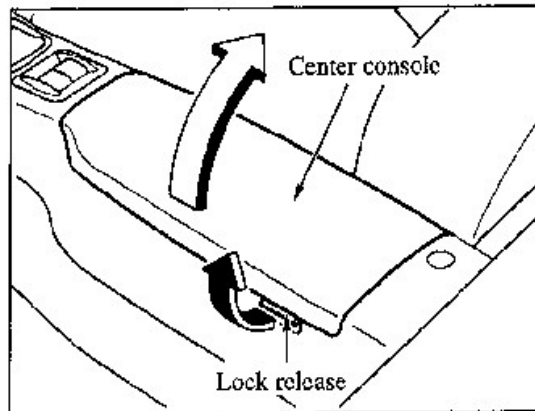
3. Use the support rod to hold the hood open.

Before closing the hood, secure the rod in its clip.

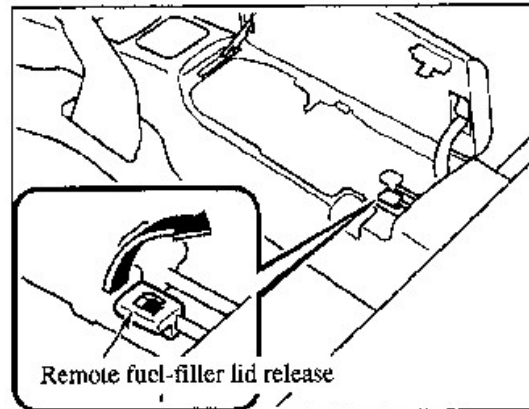
To close the hood:

- Check under the hood area to make certain all filler caps are in place and all loose items (e.g. tools, oil containers, etc.) have been removed.
- Close the hood so that it locks securely.

Fuel-Filler Lid

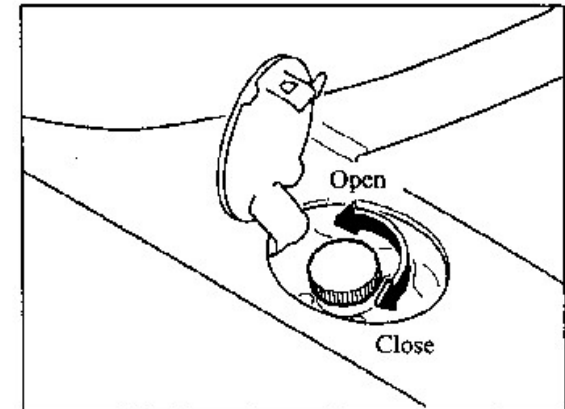


The remote fuel-filler lid release is mounted in the center console. To open the console, pull the lock release up.



To open the fuel-filler lid, pull up on the fuel-filler lid release.

Fuel-Filler Cap



- To remove the filler cap, turn it counterclockwise.
- To replace the filler cap, turn it clockwise until it clicks.

⚠ WARNING

Fuel Spray:

Fuel spray is dangerous. Fuel can burn skin and eyes and cause illness when ingested. Fuel spray happens when there is pressure in the fuel tank and the fuel cap is removed too quickly. When removing the fuel cap, loosen the cap slightly and wait for any hissing to stop. Then remove it.

⚠ WARNING

Fuel Vapor:

Fuel vapor is dangerous. It could be ignited by sparks or flames; causing serious burns and injuries. Before refueling, stop the engine. And always keep sparks and flames away from the filler neck.

⚠ CAUTION

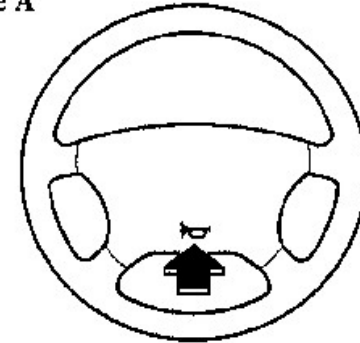
Always use only a designated Mazda fuel cap or an approved equivalent, available at Authorized Mazda Dealers. The wrong cap can result in a serious malfunction of the fuel and emission control systems. It may also cause the check engine light in the instrument cluster to appear.

⚠ CAUTION

Make sure the fuel-filler cap is tightened securely. The check engine light comes on when the cap isn't tightened securely. If the light remains on (even after you have tightened the cap securely, driven, and restarted the engine several times), it may indicate a different problem. Contact an Authorized Mazda Dealer as soon as possible.

Horn

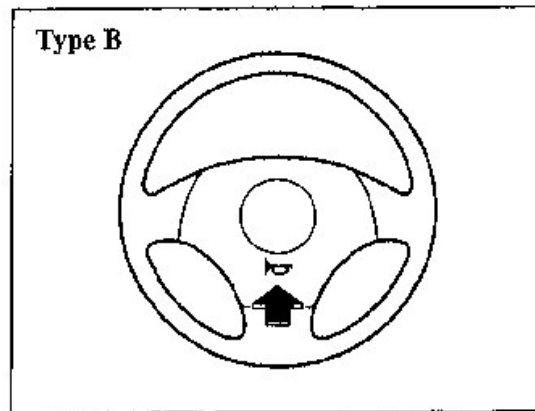
Type A



To sound the horn, press the center of the steering wheel.

Check the horn's operation regularly.

Mirrors

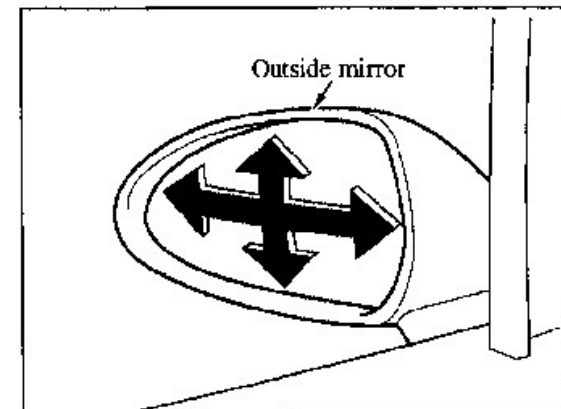


■ Outside Mirrors

Check the mirrors' angles before driving.

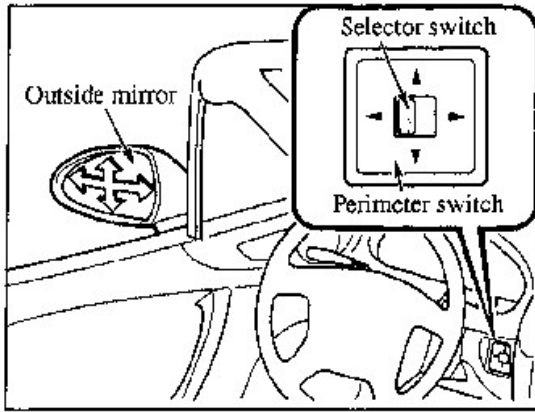
⚠ WARNING

Convex Mirror on Passenger-Side:
Changing lanes without taking into account the actual distance of the vehicle in the convex mirror is dangerous. You could have a serious accident. What you see in the convex mirror (passenger's side) is closer than it appears. Be sure to look over your shoulder or to check your inside mirror before changing lanes.



▼ Manual control mirror

Adjust by hand.

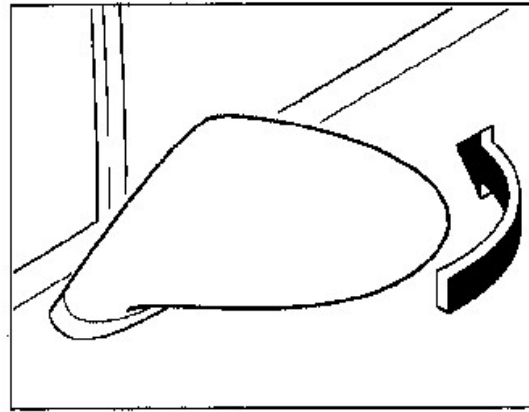


▼ Power control mirror

The ignition switch must be in the ACC(I) or ON(II) position.

To adjust:

1. Move the selector switch to the left or right to choose the mirror.
2. Depress the perimeter switch in the appropriate direction.

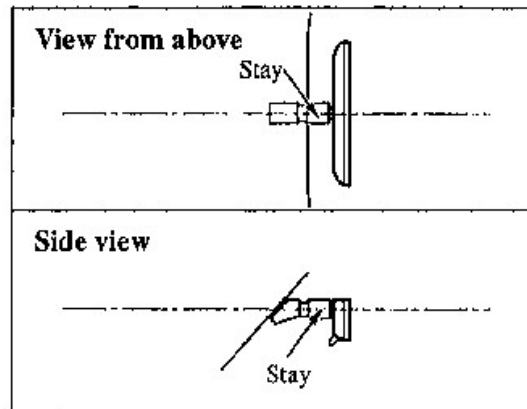
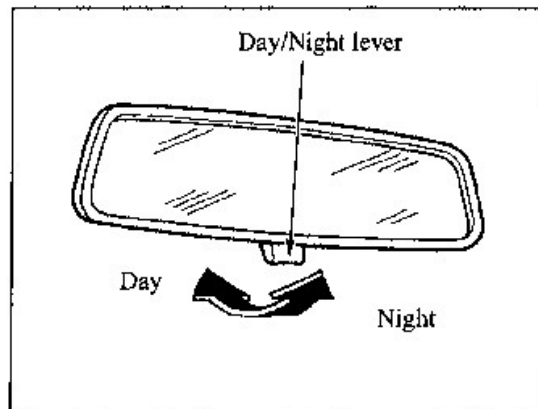


▼ Folding mirror

If you have a folding outside mirror, it will fold flat against the vehicle when pushed toward it the side window.

⚠ WARNING

***Driving with Mirrors Folded In:**
It is dangerous to drive with the outside mirrors folded in. Your rear view will be restricted, and you could have an accident. Always return the outside mirrors to the driving position before you start driving.*



⚠ WARNING

***Blocked View:**
Cargo stacked higher than the seatbacks can be dangerous. It can block your view in the rearview mirror, which might cause you to hit another car when changing lanes. Don't stack things higher than the seatbacks.*

■ **Rearview Mirror (With Day/Night Function)**

Before driving, adjust the rearview mirror to center on the scene through the rear window. Do this with the day/night lever in the day position.

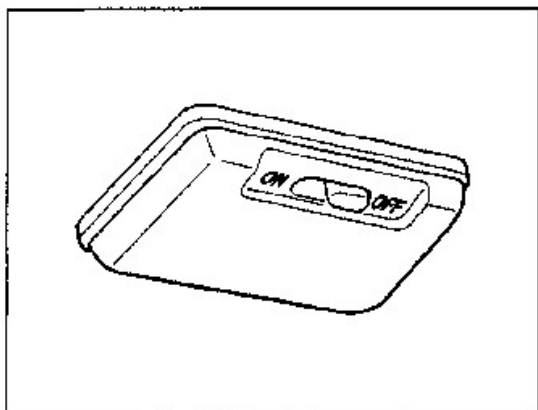
Push the lever forward for day driving. Pull it back to reduce glare from headlights.

NOTE

If your forward view is obstructed by the mirror or the sunvisor hits the mirror, adjust the mirror stay to the center-horizontal position.

Knowing Your Mazda

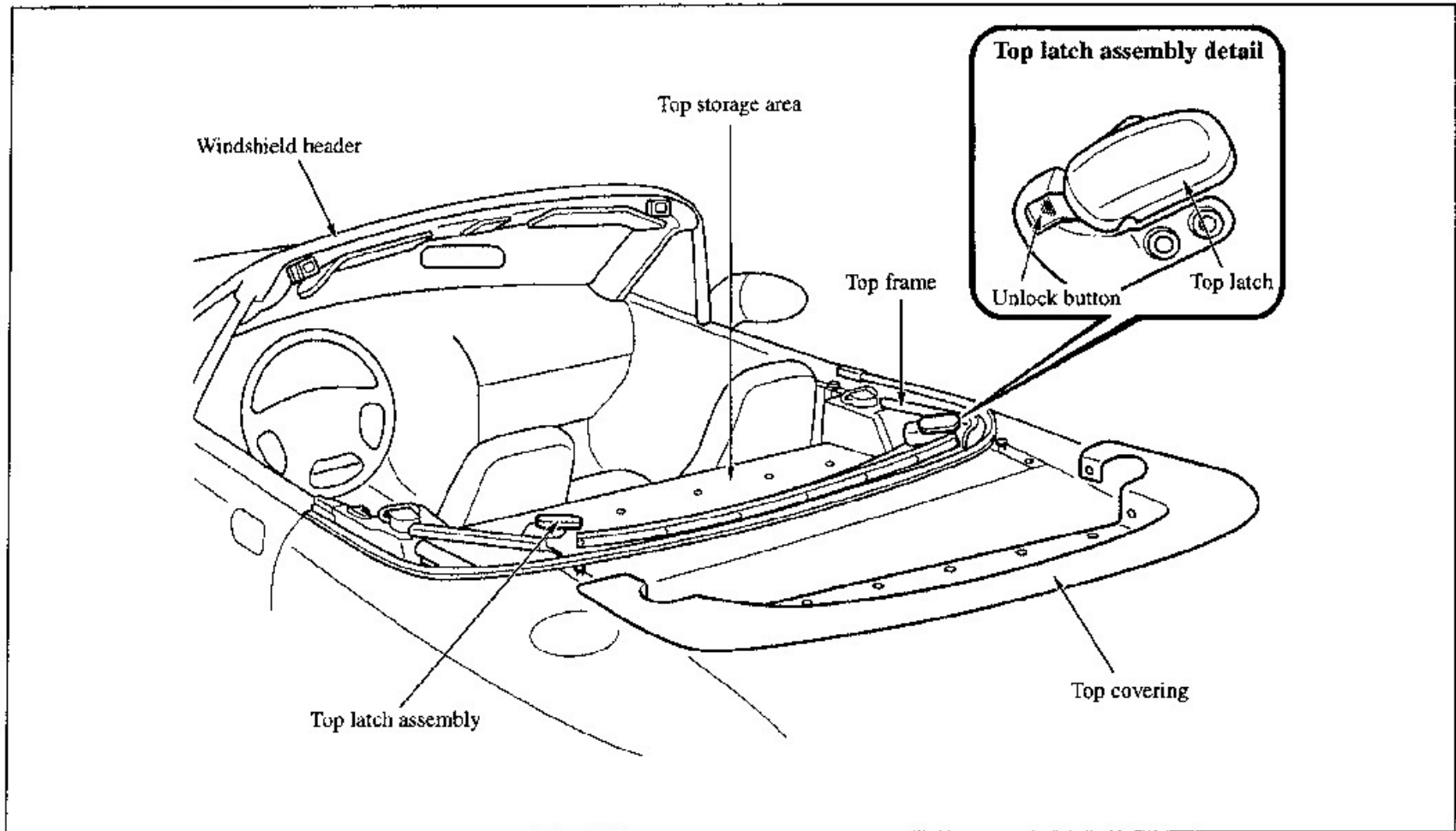
Interior Light



- OFF Position — Light off
- Center Position — Light on when a door is open
- ON Position — Light on

Convertible Top

■ Convertible Top Overview



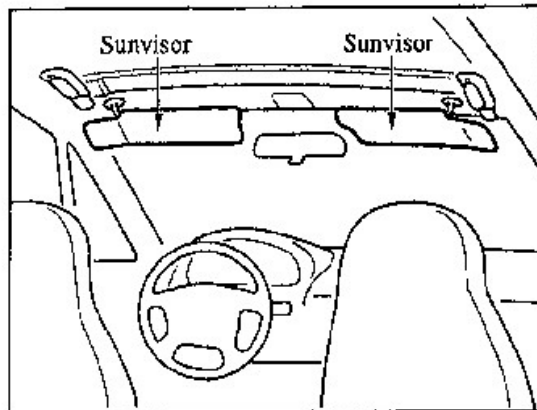
■ Convertible Top Precautions

- Before lowering or raising the top, stop in a safe place off the right-of-way and park on a level surface.
- Make sure nothing is on the top or near the back window when raising or lowering the top. Even small objects may interfere and cause damage.
- When lowering the top, make sure objects inside the vehicle aren't blown away by the wind.
- Secure all loose objects inside when driving with the top down.
- To help prevent burglary or vandalism and to ensure that the passenger compartment stays dry, close the top securely and lock all doors when leaving the vehicle.
- Don't drive through an automatic car wash; it may damage the top.
- Don't raise or lower the top when the temperature is below 41°F (5°C); this will damage the top material.
- Don't lower the top when it's wet. If the top dries while folded, it will deteriorate and shrink.
- Don't raise or lower the top when the wind is strong; the wind could damage the top.

Lowering the top while it's wet can also cause water to drop into the passenger compartment.

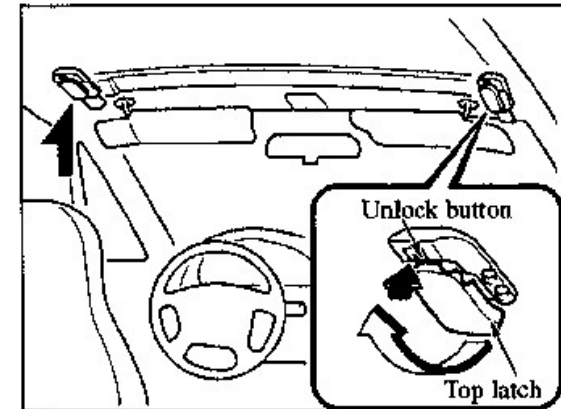
WARNING

***Standing in a Moving Vehicle:
Standing in the vehicle when it's moving is a dangerous way to ride. During a sudden maneuver or collision you could be seriously injured or even killed. Don't stand in the vehicle when its moving.***



⚠ WARNING

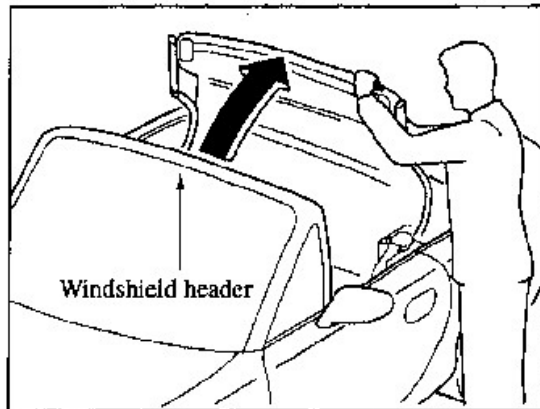
*Objects in the Storage Area:
Putting heavy or sharp objects in the top storage area can be dangerous. During a sudden stop or collision, they can become a projectile that might hit and injure passengers. Don't place heavy or sharp objects in the top storage area.*



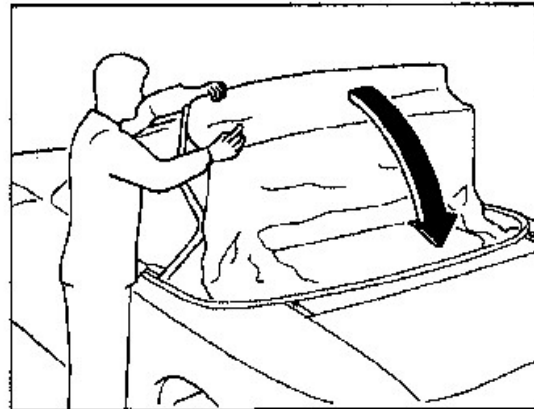
■ Lowering the Convertible Top

1. Set the parking brake and turn off the ignition.
2. Lower the side windows.
3. Pull down the sunvisors.
4. Remove all objects in the top storage area.

5. Push the unlock buttons and fully release the top latches.



6. Lift up on the front section of the top to release it from the windshield header.

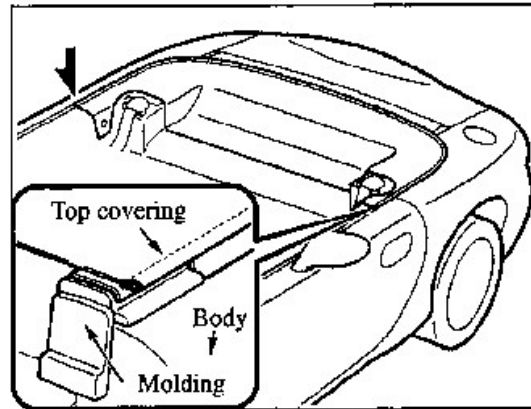
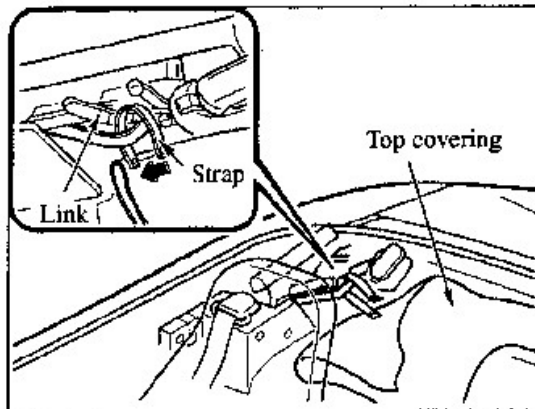


7. Fold back the front and carefully lower it to the storage area. Then put the latches in the locked position.

⚠ WARNING

Fastening Mechanisms:

It is dangerous to place your hands or fingers near the fastening mechanism. Your hands or fingers could be caught and injured by the mechanism. Always keep your hands and fingers away from the fastening mechanisms when moving the top.



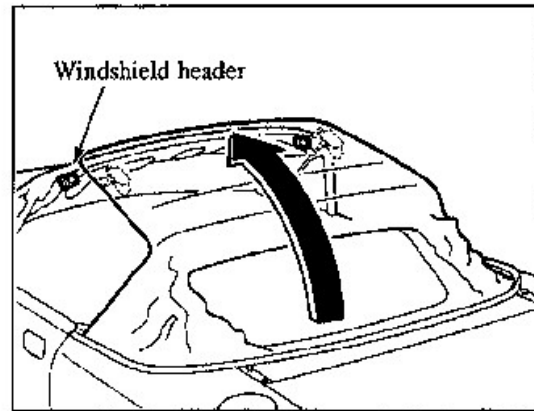
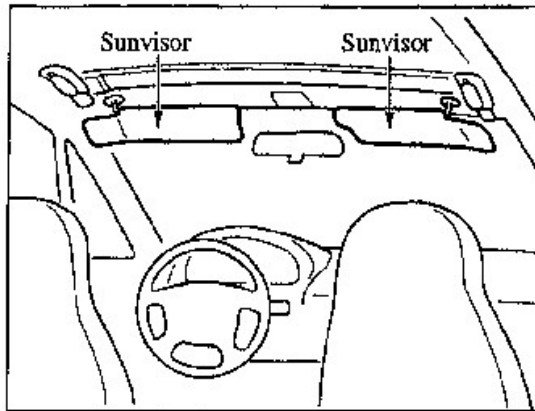
⚠ CAUTION

Never drive with the top partially folded or uncovered. Otherwise the top and/or the top covering could be damaged.

■ **Covering the Convertible Top**

1. Cover the convertible top with the top covering, stored in the trunk.
2. Feed the straps on the bottom of the covering through the lower links and snap them into position.
3. Secure the top covering with the straps.
4. Affix the top covering to the buttons.

5. Insert the top covering's rear edge into the groove in the body molding.



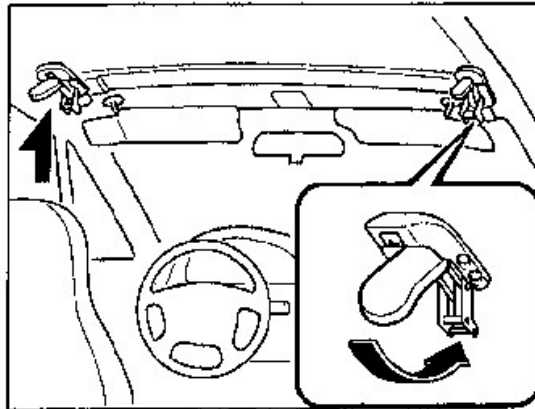
⚠ WARNING

Fastening Mechanisms:

It is dangerous to place your hands or fingers near the fastening mechanism. Your hands or fingers could be caught and injured by the mechanism. Always keep your hands and fingers away from the fastening mechanisms when moving the top.

■ Raising the Convertible Top

1. Set the parking brake and turn off the ignition.
2. Undo the fasteners and straps; remove the top covering and store it properly in the trunk.
3. Lower the side windows.
4. Pull down the sunvisors.
5. Unlock the top latches and open them fully.
6. Hold the top lift handle and pull the top up and forward until it's against the windshield header.



7. After securely hooking the top latches onto the windshield header, push each latch up with the palm of your hand until the lock buttons click and the latches are locked.

⚠ WARNING

Fastening Mechanisms:

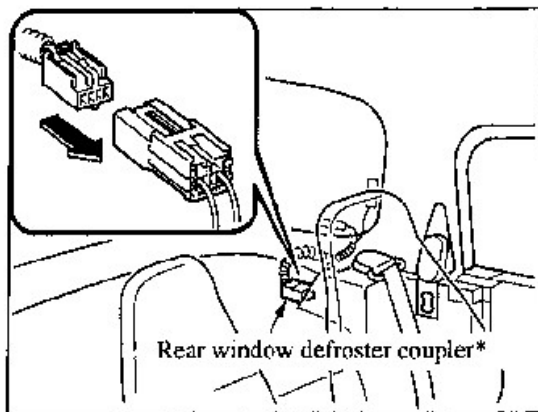
It is dangerous to place your hands or fingers near the fastening mechanism. Your hands or fingers could be caught and injured by the mechanism. Always keep your hands and fingers away from the fastening mechanisms when moving the top.

NOTE

Make sure the top is securely locked by pushing up on it. If it still sounds loose (rattles) after being locked by the top latches, have it inspected at an Authorized Mazda Dealer.

⚠ CAUTION

Make sure the top is securely locked by pushing up on it.
Driving with the top unlocked could damage the top.



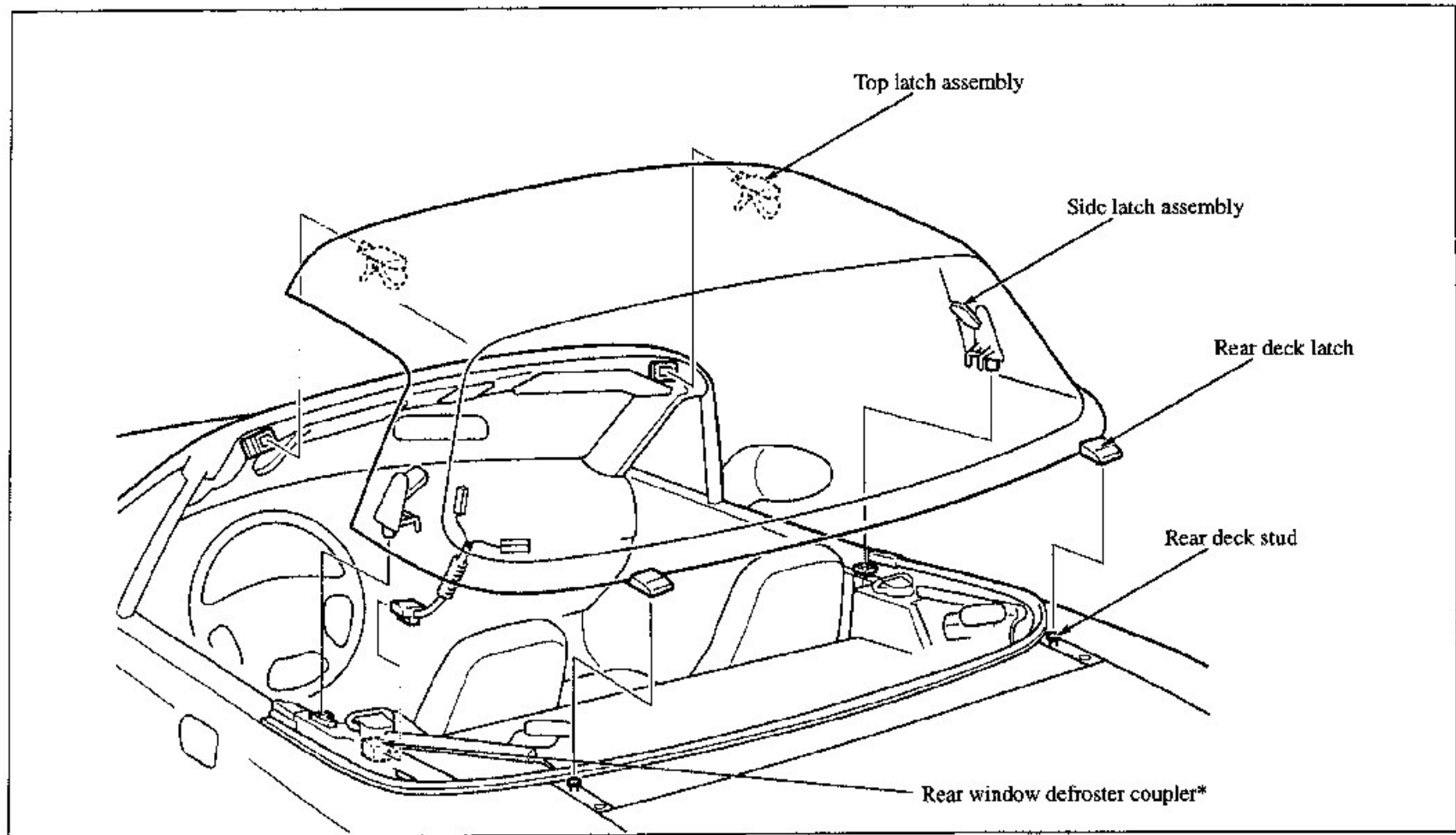
■ **Taking Care of the Top**

Refer to page 7-9 for information on taking care of the top.

8. If the rear window defroster coupler* is disconnected, connect the coupler.

Detachable Hardtop*

■ Detachable Hardtop Overview



Knowing Your Mazda

■ Detachable Hardtop Precautions

- Before removing or installing the hardtop, stop in a safe place off the right-of-way and park on a level surface.
- When removing the hardtop, make sure objects inside the vehicle aren't blown away by the wind.
- Secure all loose objects inside when driving with the top removed.
- To help prevent burglary or vandalism and to ensure that the passenger compartment stays dry, close the top securely and lock all doors when leaving the vehicle.
- Don't drive through an automatic car wash; it may damage the hardtop.
- Don't remove or install the top when the wind is strong; the wind could damage the top.
- When removing the hardtop, make sure the operation is performed by 2 persons.
- Before removing the hardtop, lower or remove the antenna.
- Removing the top while it's wet can cause water to drop into the passenger compartment.

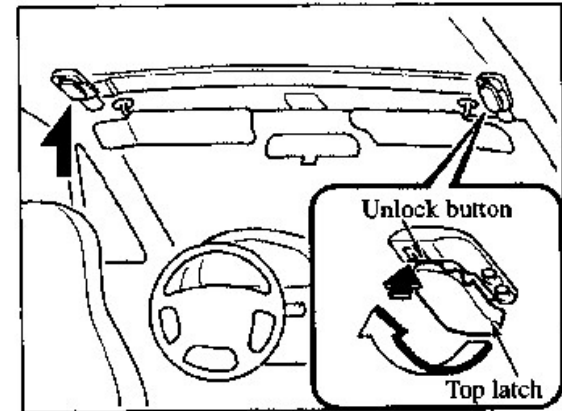
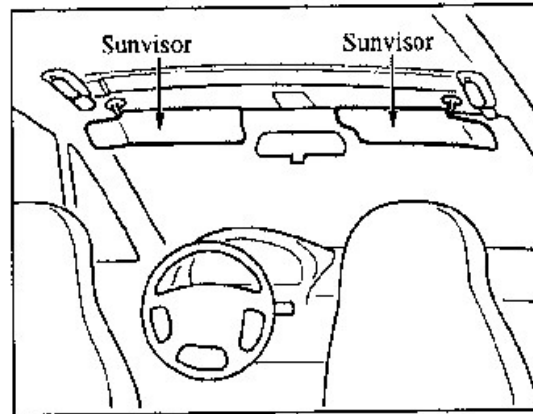
WARNING

Standing in a Moving Vehicle:

Standing in the vehicle when it's moving is a dangerous way to ride. During a sudden maneuver or collision you could be seriously injured or even killed. Don't stand in the vehicle when its moving.

⚠ WARNING

***Hardtop and Rollover Accidents:**
Rollover accident of a hardtop vehicle could be dangerous. The hardtop is not as strong as a regular steel roof. Rollover accidents could dislodge or crush the hardtop and cause serious injuries or even death. Always drive safely and observe the speed limit.*

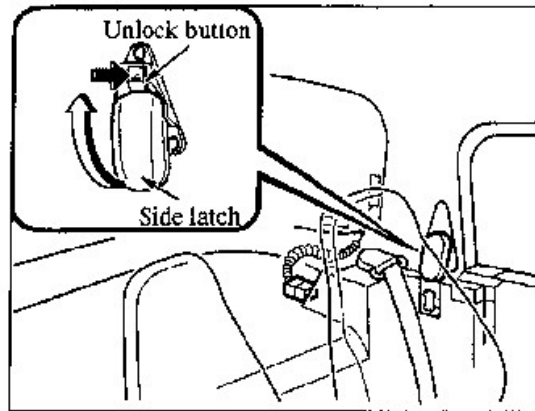


■ Removal of Detachable Hardtop

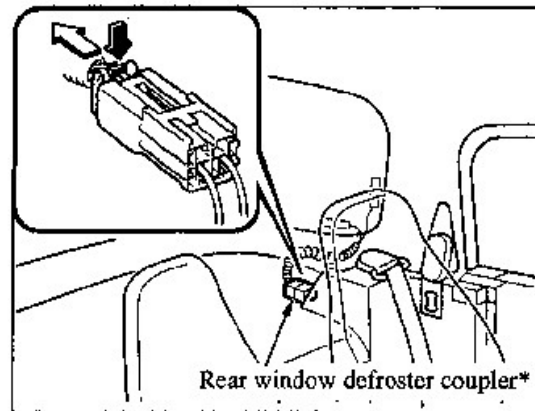
1. Set the parking brake and turn off the ignition.
2. Lower the side windows.
3. Pull down the sunvisors.

4. Push the unlock buttons and fully release the top latches.

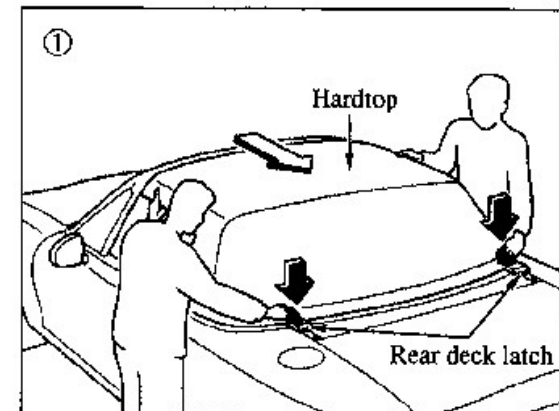
Knowing Your Mazda



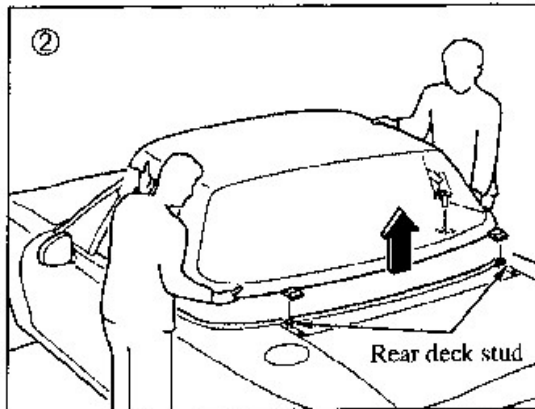
5. Push the unlock buttons and fully release the side latches.



6. Disconnect the rear window defroster coupler.*



7. ① Slide the hardtop rearward while pressing down on the rear deck latches to unlock the latches. ② Lift the hardtop straight off the body to prevent damage to the rear deck latches and studs.



⚠ WARNING

Fastening Mechanisms:

It is dangerous to place your hands or fingers near the fastening mechanism. Your hands or fingers could be caught and injured by the mechanism. Always keep your hands and fingers away from the fastening mechanisms when moving the top.

⚠ WARNING

Windshield's Edges:

Not being careful of the windshield's edges when getting into or out of the vehicle could be dangerous. The windshield's edges could scratch and cause injuries. Be careful of the windshield's edges when getting into or out of the vehicle.

⚠ CAUTION

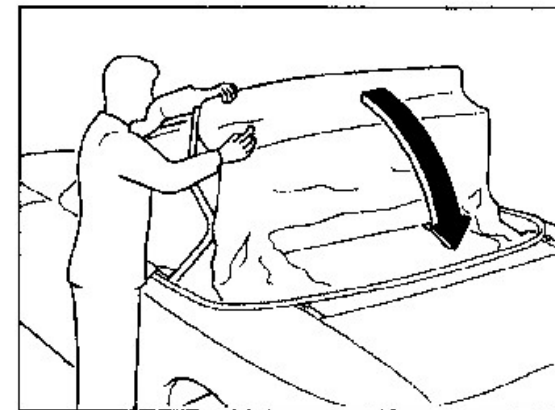
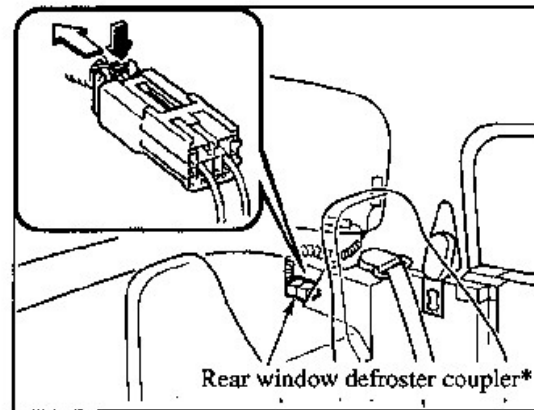
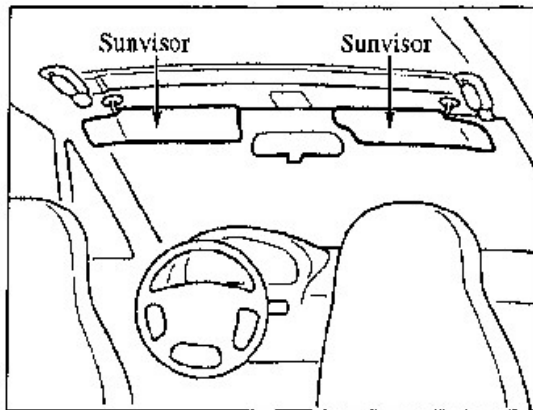
- Be careful not to strike the body with any of the protruding hardtop latches.
- Use extreme care when carrying the hardtop to prevent scratching or other damage to it.

NOTE

Points to remember when storing the detachable hardtop.

- Do not place the hardtop on a hard surface, such as concrete or asphalt. Place it on a cushioning material, such as an old blanket.
- Be sure the top latches and the side latches are locked.
- Do not lean the hardtop against a wall or stand it in an unstable way.
- Store the hardtop in a dry clean area, and cover it with a soft material, such as an old blanket.

Knowing Your Mazda



■ Installation of Detachable Hardtop

1. Set the parking brake and turn off the ignition.
2. Lower the side windows.
3. Pull down the sunvisors.

4. Disconnect the rear window defroster coupler*.

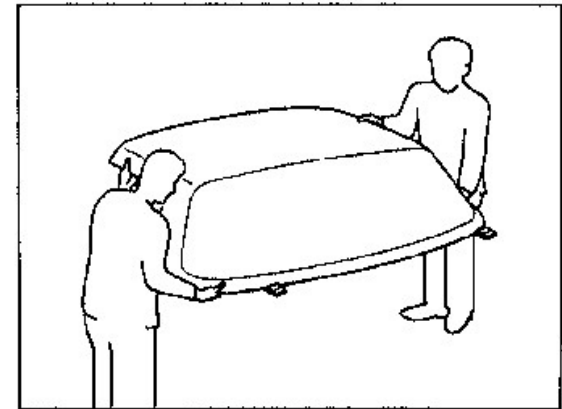
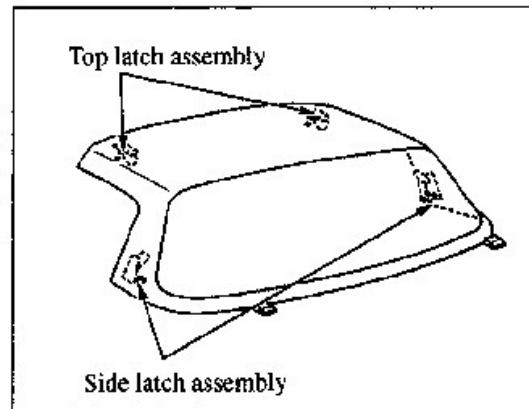
5. Fully lower the convertible top.
(page 3-18.)

⚠ CAUTION

Do not attempt to install the hardtop with the top covering also installed. Remove the top covering before installing the hardtop, otherwise damage will occur to the top covering.

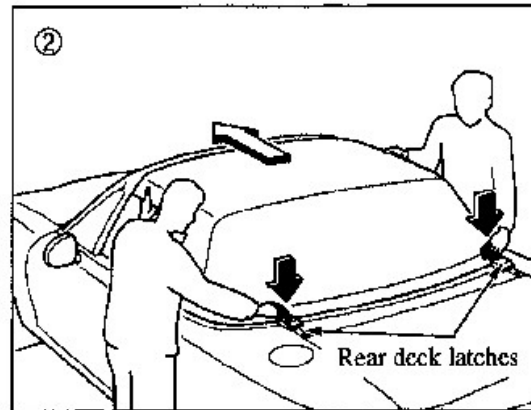
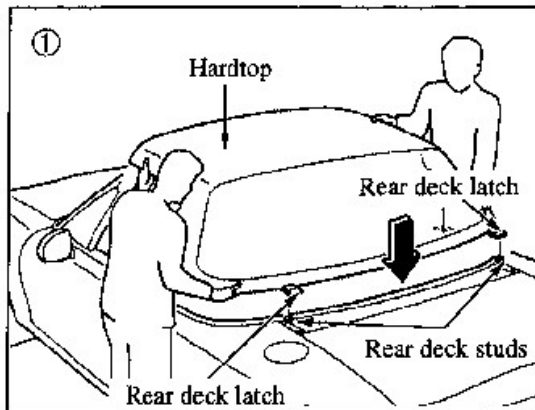
NOTE

Be sure to place the top latches in the locked position.



6. Unlock the top latches and the side latches on the hardtop.

Knowing Your Mazda



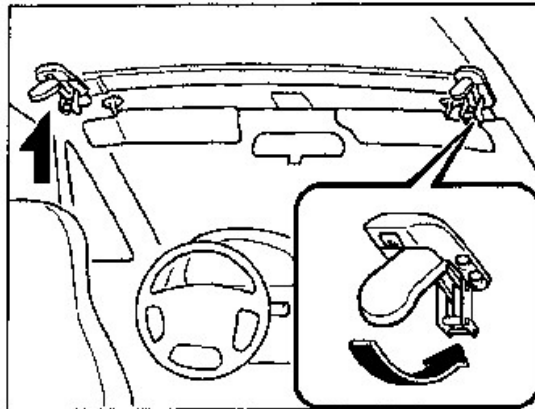
⚠ CAUTION

The rear defogger grid and the defogger cord could be damaged when removing or installing the top. Make sure the rear defogger grid isn't folded and the defogger cord isn't caught between the vehicle's body and the top.

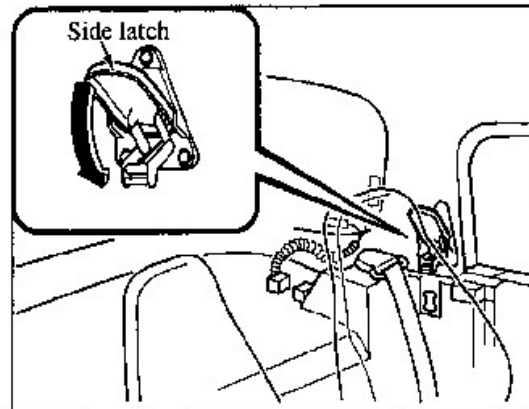
7. ① Align the rear deck latches with the rear deck studs and set the hardtop squarely onto the body. ② Slide the hardtop forward while pressing down on the rear deck latches to lock the latches, and then verify that they are secure by attempting to lift the rear of the hardtop.

⚠ CAUTION

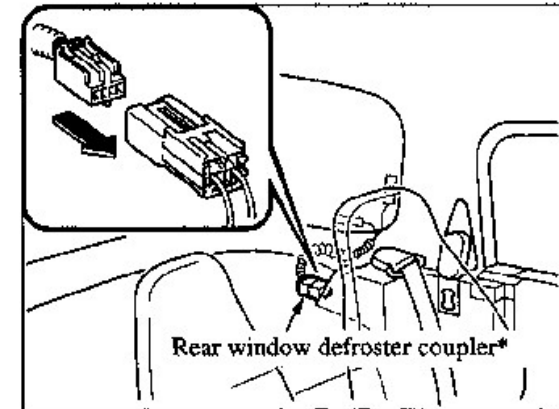
Be careful not to strike the body with any of the protruding hardtop latches.



8. Push each top latch up with the palm of your hand until the lock buttons click and the latches are locked.



9. Push each side latch down with the palm of your hand until the lock buttons click and the latches are locked.



10. Reconnect the rear window defroster coupler.*

⚠ CAUTION

After installation, verify that all latches are secure. Operating the vehicle with unlocked latches may cause hardtop damage or loss.

 **CAUTION**

The rear defogger grid could be damaged when removing or installing the top. Make sure the rear defogger grid isn't folded.

NOTE

If the top rattles even when all latches are secure, contact your Authorized Mazda Dealer for inspection.

■ **Detachable Hardtop Appearance Care**

Refer to page 7-10 for information on detachable hardtop appearance care.